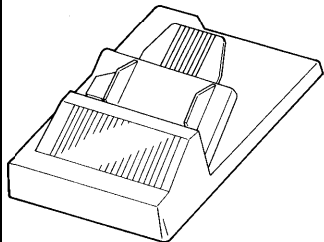


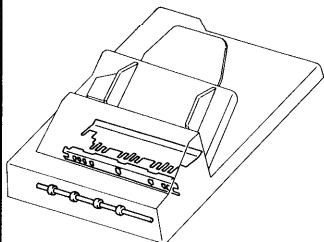
LOCATION OF UNITS

March 31, '88

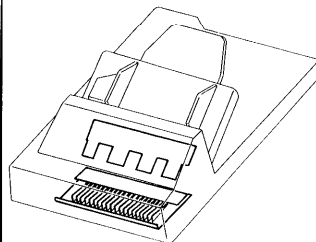
1. RDH I



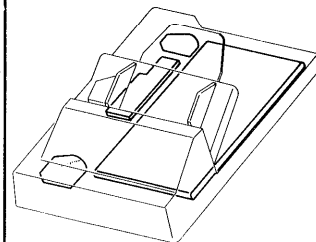
2. RDH II



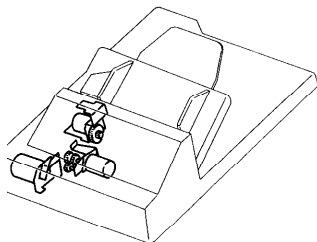
3. RDH III



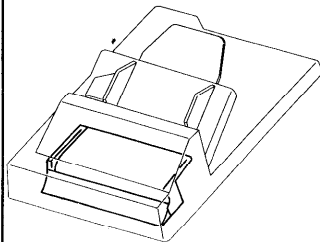
4. RDH IV

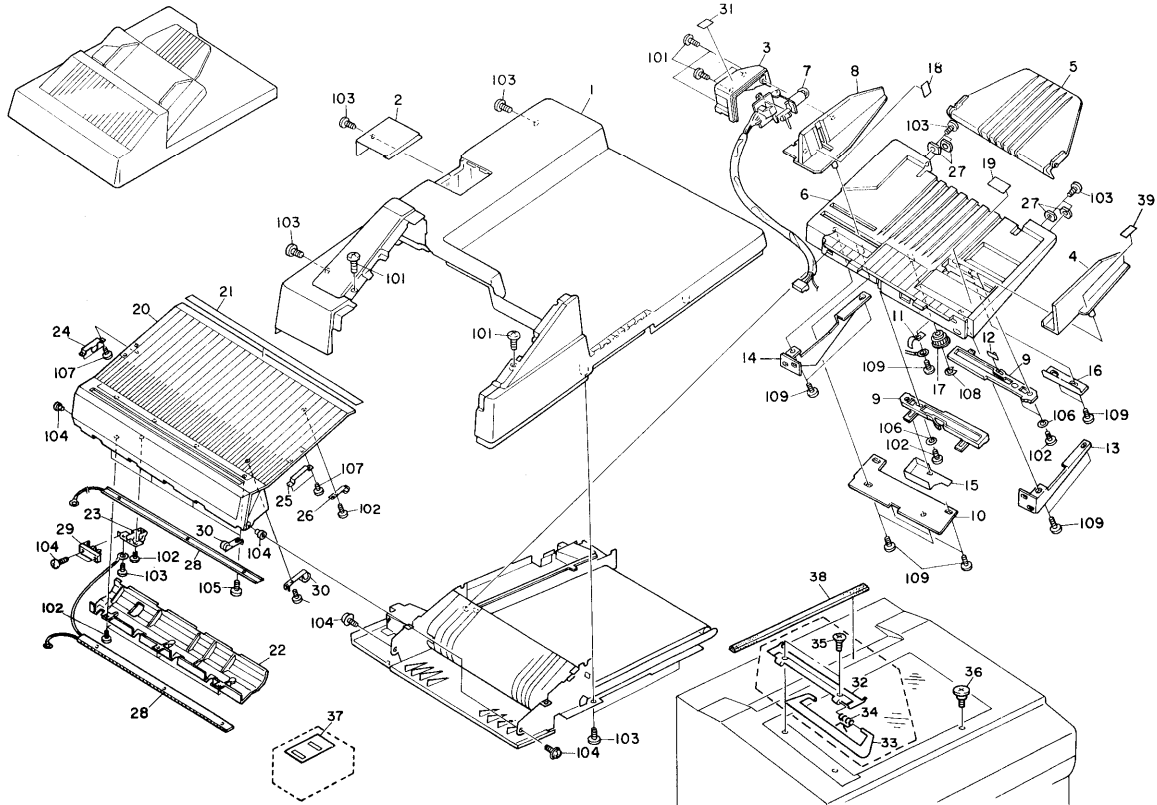


5. RDH V



6. RDH VI



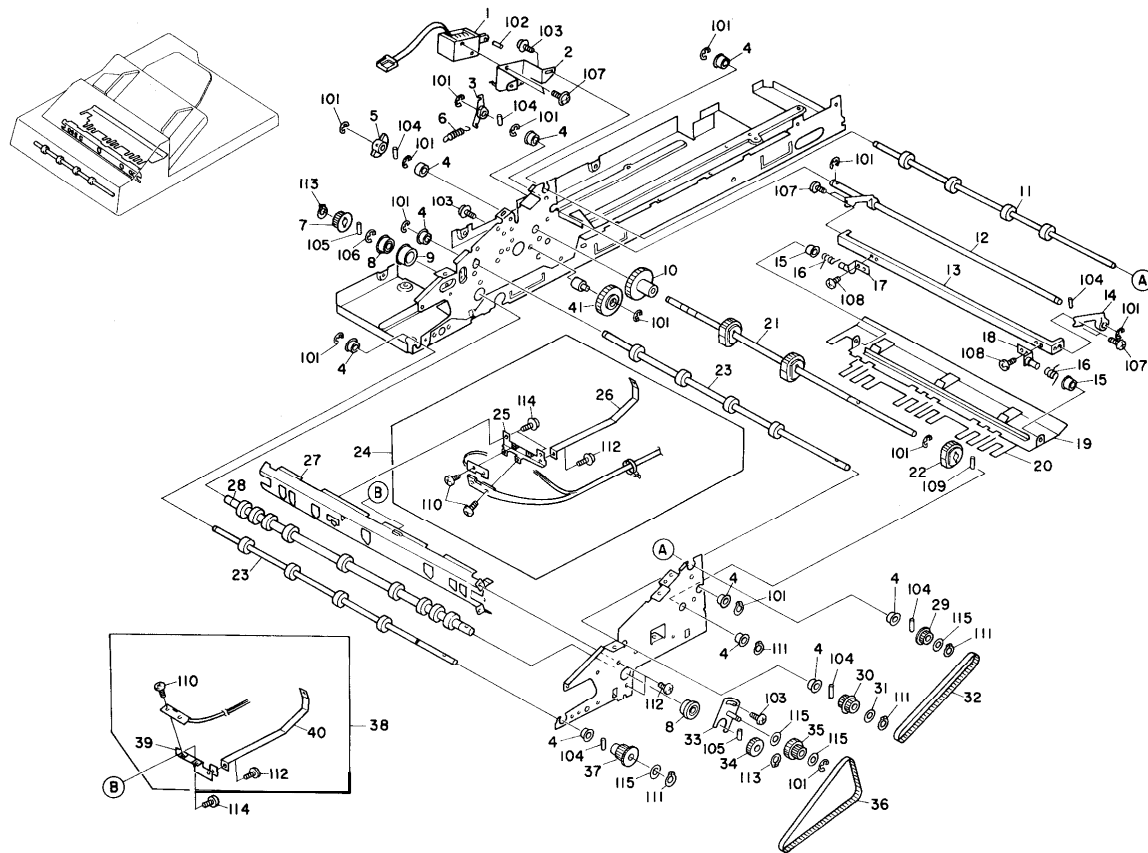


1. RDH I

March 31, '88

Index No.	Part No.	Description	Q'ty Per Assembly
*	A938 8610	Installation Procedure - English	1
*	A938 8615	Installation Procedure - 5 Language	1
*	A938 8600	Operating Instructions - English. NA	1
*	A938 8606	Operating Instructions - English. EU	1
*	A938 8601	Operating Instructions - German	1
*	A938 8602	Operating Instructions - French	1
*	A938 8603	Operating Instructions - Italian	1
*	A938 8604	Operating Instructions - Spanish	1
*	A938 5113	IC - HN27512G-25 (Copier ROM)	1
1	VFL6 0009	RDH Cover	1
2	VFE6 0017	Inlet Cover	1
3	VFE6 0084	Original Guide Cover	1
4	VFE6 0082	Front Original Guide	1
5	VFE6 0086	Original Support Tray	1
6	VFL6 0026	Original Tray - LT/LDG	1
6	VFL6 0027	Original Tray - A3/A4	1
7	VFG1 3789	Recycle Arm Motor - DC3.5V 0.13W	1
8	VFE6 0083	Rear Original Guide	1
9	VFE6 0085	Rack - Original Guide	2
10	VFE6 0087	Original Cover	1
11	VFE6 0089	Spring Plate - Grounding Wire	1
12	VFE6 0090	Spring Plate	2
13	VFE6 0091	Front Tray Bracket	1
14	VFE6 0092	Rear Tray Bracket	1
15	VFE6 0093	Harness Bracket	1
16	VFE6 0094	Original Position Cover	1
17	VFS0 0001	Gear - 16T	1
18	VFE6 0301	Small Original Size Decal - LT/LDG	1
18	VFE6 0302	Small Original Size Decal - A3/A4	1
19	VFS0 8005	Large Original Size Decal - LT/LDG	1
19	VFS0 8006	Large Original Size Decal - A3/A4	1
20	VFL6 0062	Inverter Cover - LT/LDG	1
20	VFL6 0063	Inverter Cover - A3/A4	1
21	VFS0 8021	Decal - Feed-in - LT/LDG	1

Index No.	Part No.	Description	Q'ty Per Assembly
21	VFS0 8022	Decal - Feed-in - A3/A4	1
22	VFE6 0071	Inverter Guide	1
23	VFL6 0006	Inverter Sensor Actuator	1
24	VFA3 4640	Rear Magnet Catch Plate	1
25	VFA3 9361	Front Magnet Catch Plate	1
26	VFF1 4856	Leaf Spring Roller - Small	4
27	VFA3 6393	Washer	4
28	VFA3 4631	Anti-Static Brush	2
29	VFH7 7024	Photo Interrupter	1
30	VFF1 6171	Left Spring Roller	4
31	VFS0 8057	Decal - Instruction	1
32	VFE6 0136	Original Exit Guide	1
33	VFE6 0138	Original Scale - LT/LDG	1
33	VFE6 0139	Original Scale - A/A4	1
34	VFS0 2004	Original Scale Spring	1
35	VFE6 0142	Flathead Screw - M4x5	2
36	VFE6 0134	Flathead Shoulder Screw - M4x8	2
37	A007 5758	ADF Sheet - A3/A4	1
37	A007 5741	ADF Sheet - LT/LDG	1
38	VFE6 0125	Sponge Seal	1
39	VFS0 8041	Decal - Front Original Guide	1
101	0354 0060F	Phi lips Pan Head Screw M4x6	
102	0413 0062W	Tapping Screw - M3x6	
103	0802 5094	Tapping Truss Head Screw - M4x8	
101	0960 3008W	Phi lips Flange Screw - M3x8	
105	0413 0082W	Tapping Screw - M3x8	
106	0700 0050W	Washer - 5mm	
107	0960 3004W	Screw With Flat Washer - M3x4	
108	0727 0050E	Retaining Ring - M5	
109	0344 0060D	Philips Truss Head Screw - M4x6	



2. RDH II

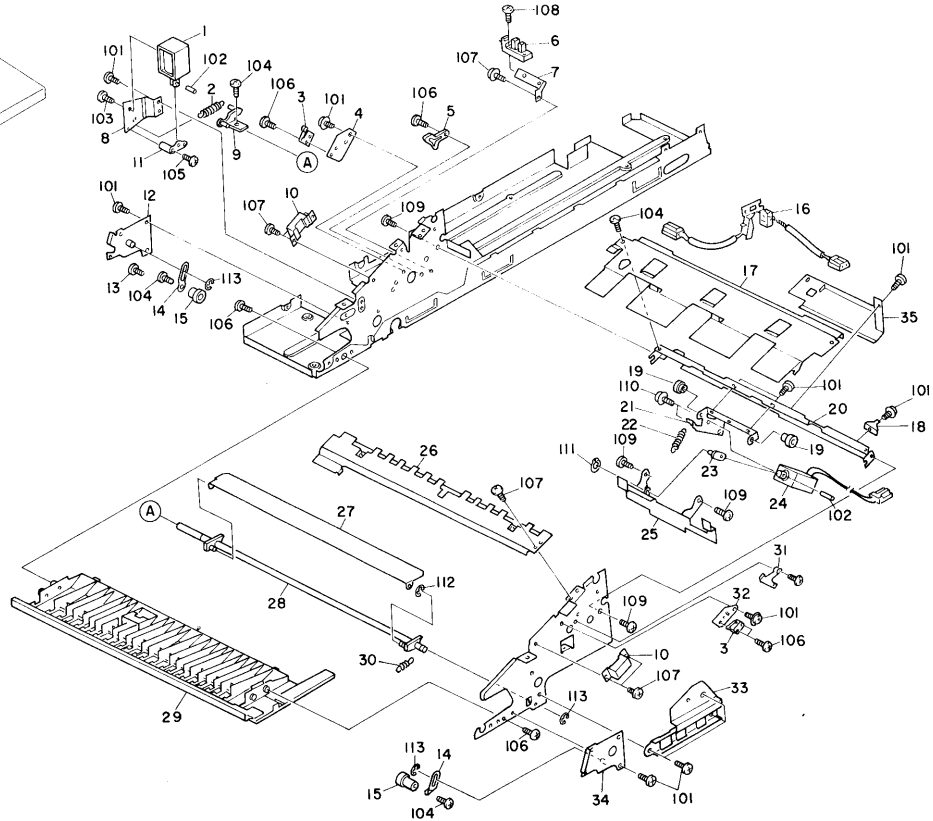
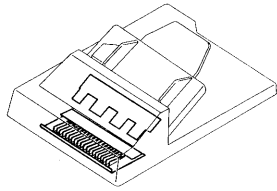
March 31, '88

Index No.	Part No.	Description	Q'ty Per Assembly
1	VFH7 5056	original Pressure Solenoid	1
2	VFA3 4705	Solenoid Bracket	1
3	VFA3 4697	Original Pressure Lever	1
4	VFS1 1213	Bushing - 6mm	10
5	VFA3 4688	Home Position Sensor Actuator	1
6	VFS2 2497	Original Pressure Spring	1
7	VFA3 4665	Pulley - 11T	1
8	VXG9 0094	Ball Bearing	6
9	VFA3 4671	Bearing Holder	1
10	VFS2 0162	Gear - 30T	1
11	VFA3 4998	Exit Roller	1
12	VFA3 4704	original Pressure Shaft	1
13	VFA4 2410	Original Pressure Stay	1
14	VFA3 4698	Original Pressure Arm	2
15	VFS1 1376	Bushing	2
16	VFS2 2498	Torsion Spring	2
17	VFF1 6658	Rear Hinge Plate	1
18	VFF1 6657	Front Hinge Plate	1
19	VFE6 0004	Original Pressure Plate	1
20	VFE6 0005	Mylar - Original Pressure	1
21	VFE6 0007	Pick-up Roller Shaft	1
22	VFA3 4686	Pick-up Roller	3
23	VFA3 4673	Switch-Back Roller	2
24	VFG1 3778	Resist ration Sensor Ass'y	2
25	VFE6 0102	Sensor Bracket	1
26	VFE6 0101	Sensor Plate	1
27	VFL6 0001	Registration Roller Guide	1
28	VFE6 0006	Registration Roller	1
29	VFA3 4997	Pulley - 22T	1
30	VFA3 4672	Coupled Pulley - 24T	1
31	VFA3 7957	Nylon Washer	1
32	VXF9 0136	Timing Belt - 140T	1
33	VFF1 4848	Belt Tightener	1
34	VFS2 0163	Gear - 25T	1
35	VFS2 0161	Gear/Pulley - 25T/24T	1

Index No.	Part No.	Description	Q'ty Per Assembly
36	VXF9 0056	Timing Belt - 150V	1
37	VFA3 4670	Pulley - 24T	1
38	VFG1 5503	Feed-in Sensor Ass'y	1
39	VFA4 2404	Feed-in Sensor Bracket	1
40	VFA3 4674	Feed-in Sensor Plate	1
41	VFS2 0151	Gear - 36T	1
101	0720 0050G	Retaining Ring - M5	
102	0623 0080E	Parallel Pin - M3x8	
103	0960 4006W	Phillips Flange Screw - M4x6	
104	0632 0080G	Parallel Key - 2x8mm	
105	0632 0120G	Parallel Pin - 2x12mm	
106	0720 0060G	Retaining Ring - M6	
107	0313 0060W	Phillips Pan Head Screw - M3x6	
108	0313 0040W	Phillips Pan Head Screw - M3x4	
109	0632 0140G	Parallel Pin	
110	0313 0050W	Phillips Pan Head Screw - M3x5	
111	0727 0050E	Retaining Ring - M5	
112	0960 3005W	Phillips Flange Screw - M3x5	
113	0727 0060E	Retaining Ring - M6	
114	0353 0060W	Phillips Pan Head Bind Screw - M3x6	
115	0700 0050W	Washer - M5	

3. RDH III

March 31, '88

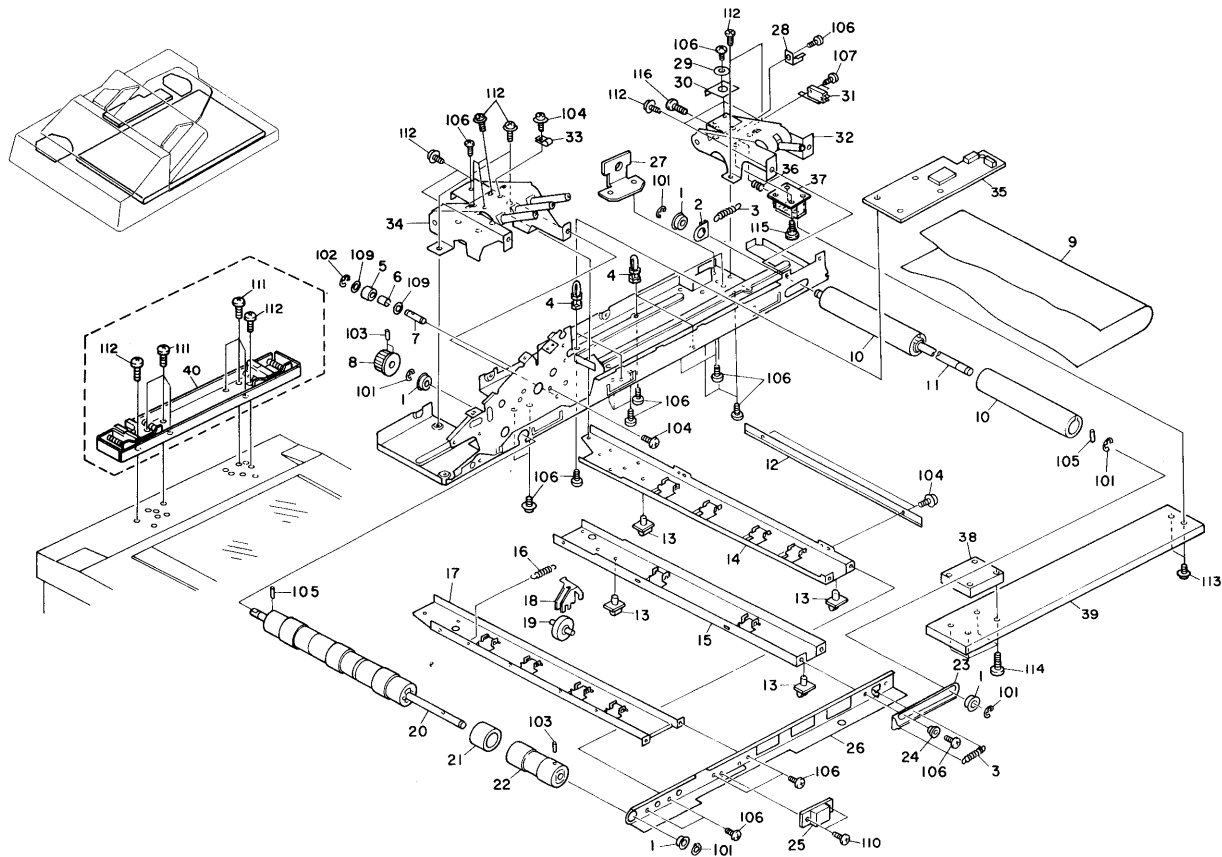


3. RDH III

March 31, '88

Index No.	Part No.	Description	Q'ty Per Assembly
1	VFF1 6679	Feed-out Gate Solenoid	1
2	VFS2 2092	Feed-out Gate Spring	1
3	VX62 0891	Micro Switch	2
4	VFA3 4663	Rear Micro Switch Bracket	1
5	VFA3 4664	Rear Micro Switch Actuator	1
6	VFH7 7023	Photo Interrupter	1
7	VFA3 4687	Home Position Sensor Bracket	1
8	VFA3 9359	Feed-out Gate Solenoid Bracket	1
9	VFA3 4708	Feed-out Gate Lever	1
10	VFA3 4724	Magnet Catch Ass'y	2
11	VFA3 9360	Feed-out Gate Link	1
12	VFF1 4854	Rear Invertor Bracket	1
13	VFA3 4714	Stud	2
14	VFA3 4720	Link	2
15	VFA3 4715	Nylon Spacer	2
16	VFG1 3786	original Sensor Ass'y	1
17	VFE6 0002	Feed-in Plate	1
18	VFA3 4629	Positioning Plate	1
19	VFS1 1376	Bushing	2
20	VFE6 0061	Stopper Solenoid Stay	1
21	VFA3 4628	Stopper Solenoid Bracket	1
22	VFS2 2087	Original Stopper Spring	1
23	VFA2 5864	Original Stopper Lever	1
24	VFH7 5058	Original Stopper Solenoid	1
25	VFE6 0062	Original Stopper Plate	1
26	VFL6 0002	Feed-out Guide	1
27	VFF1 6126	Feed-out Gate	1
28	VFA3 9355	Feed-out Gate Shaft	1
29	VFL6 0003	Lower Guide	1
30	VFA3 9974	Feed-out Gate Spring	1
31	VFA3 9363	Front Micro Switch Actuator	1
32	VFA3 9362	Front Micro Switch Bracket	1
33	VFA3 4662	Front Support Plate	1
34	VFF1 4855	Front Invertor Bracket	1
35	VFA3 7958	Transport Belt Guide	1

Index No.	Part No.	Description	Q'ty Per Assembly
101	0960 4006W	Philips Flange Screw - M4x6	
102	0623 0080E	Parallal Pin - M3x8	
103	0313 0060W	Philips Pan Head Screw - M3x6	
104	0353 0060W	Philips Pan Head Bind Screw - M3x6	
105	0354 0160W	Philips Pan Head Screw - M4x16	
106	0314 0060W	Philips Pan Head Screw - M4x6	
107	0960 3006W	Philips Flange Screw - M3x6	
108	0960 3008W	Philips Flange Screw - M3x8	
109	0354 0060W	Philips Pan Head Bind Screw - M4x6	
110	0313 0050W	Philips Pan Head Screw - M3x5	
111	0727 0030E	Retaining Ring - M3	
112	0720 0015E	Retaining Ring - M15	
113	0720 0050E	Retaining Ring - M5	

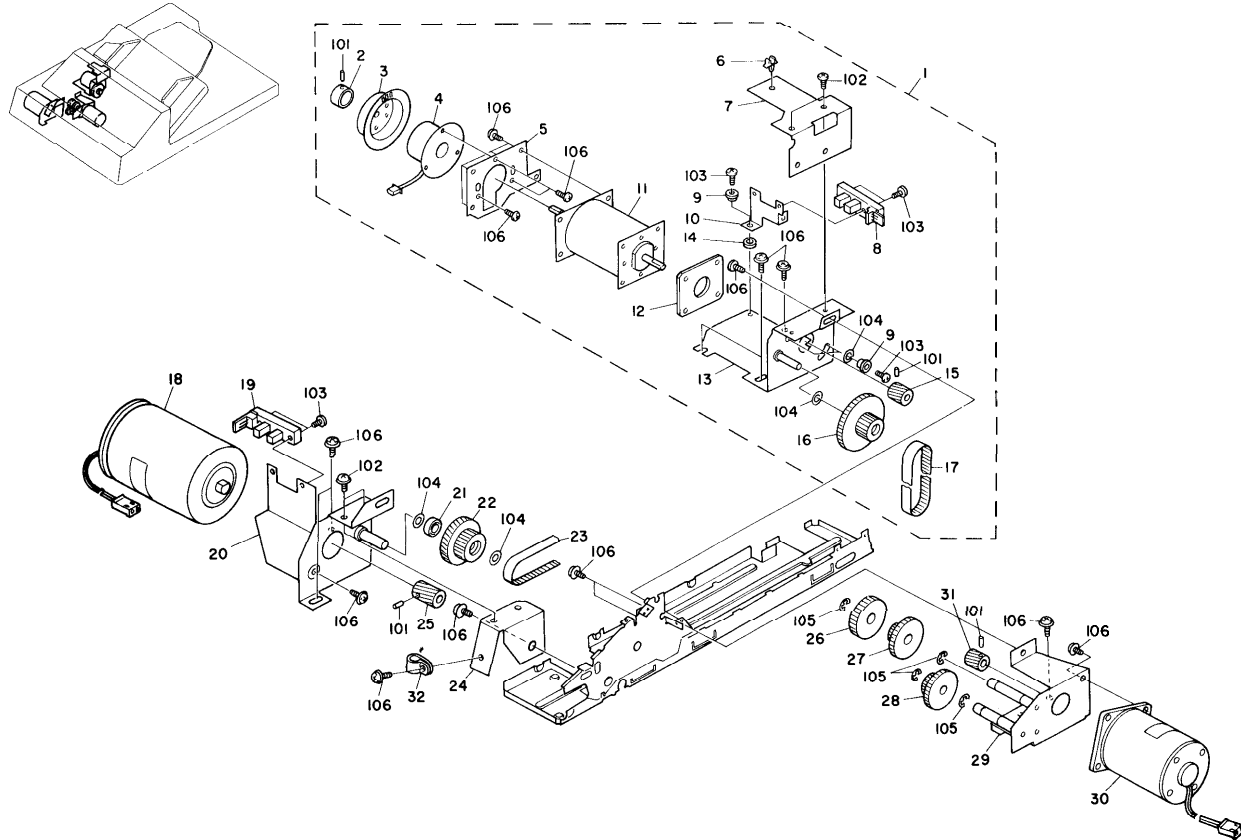


4. RDH IV

March 31, '88

Index No.	Part No.	Description	Q'ty Per Assembly
1	VXG9 0094	Ball Bearing	6
2	VFA3 4510	Washer	1
3	VFS2 2088	Belt Tension Spring	2
4	VWT2 0231	Nylon Stud	4
5	VFA3 4520	Idle Roller	1
6	VXG9 0128	Bearing	1
7	VFA3 4519	Idle Roller Shaft	1
8	VFA3 4512	Pulley - 17T	1
9	VFE6 0019	Original Belt	1
10	VFE6 0029	Belt Idle Roller	2
11	VFA3 4514	Belt Idle Roller Shaft	1
12	VFA3 4612	Anti-Static Brush	1
13	VFE6 0025	Rubber Foot	4
14	VFE6 0022	Left Belt Unit Stay	1
15	VFE6 0021	Right Belt Unit Stay	1
16	VFS2 2082	Floating Roller Spring	10
17	VFE6 0023	Middle Belt Unit Stay	1
18	VFA2 3626	Floating Roller Holder	10
19	VFE6 0039	Floating Roller	10
20	VFA3 4513	Belt Drive Roller Shaft	1
21	VFA3 4509	Rubber Belt - Drive Roller	4
22	VFA3 4507	Belt Drive Roller	4
23	VFA3 4517	Belt Idle Roller Bracket	1
24	VFA3 4516	Collar	2
25	VFA3 4725	Magnet Catch	1
26	VFE6 0024	Front Belt Unit Plate	1
27	VFE6 0008	Harness Bracket	1
28	VFA3 4546	Micro Switch Actuator	1
29	VFA2 3632	Spacer	1
30	VFA3 4566	Cover Plate	1
31	VX62 0891	Micro Switch	1
32	VFG9 1636	Right Hinge Ass'y	1
33	VX62 6563	Nylon Clamp	1
34	VFG9 1637	Left Hinge Ass'y	1
35	VFM6 0014	Rdh Main Board	1

Index No.	Part No.	Description	Q'ty Per Assembly
36	VFS0 2003	Support Bracket Spring	1
37	VFE6 0123	Right Support Bracket	1
38	VFE6 0124	Left Support Bracket	1
39	VFE6 0122	RDH Base Bracket	1
40	VFM9 0129	RDH Base Holder Bracket	1
101	0720 0060E	Retaining Ring - M6	
102	0720 0050E	Retaining Ring - M5	
103	0554 0050E	Allen Screw - M4x5	
104	0960 4006W	Philips Flange Screw - M4x6	
105	0632 0140G	Parallel Pin	
106	0354 0060W	Philips Pan Head Bind Screw - M4x6	
107	0313 0100W	Philips Pan Head Screw - M3x10	
108	0960 3005W	Philips Flange Screw - M3x5	
109	0700 0050W	Washer - 5mm	
110	0960 3005W	Philips Flange Screw - M3x5	
111	0354 0100W	Philips Pan Head Bind Screw - M4x10	
112	0315 0080W	Philips Pan Head Screw - M5x8	
113	0314 0100W	Philips Pan Head Screw - M4x10	
114	0314 0200W	Philips Pan Head Screw - M4x20	
115	0313 0006W	Philips Pan Head Screw - M3x6	
116	0314 0140W	Philips Pan Head Screw - M4x14	

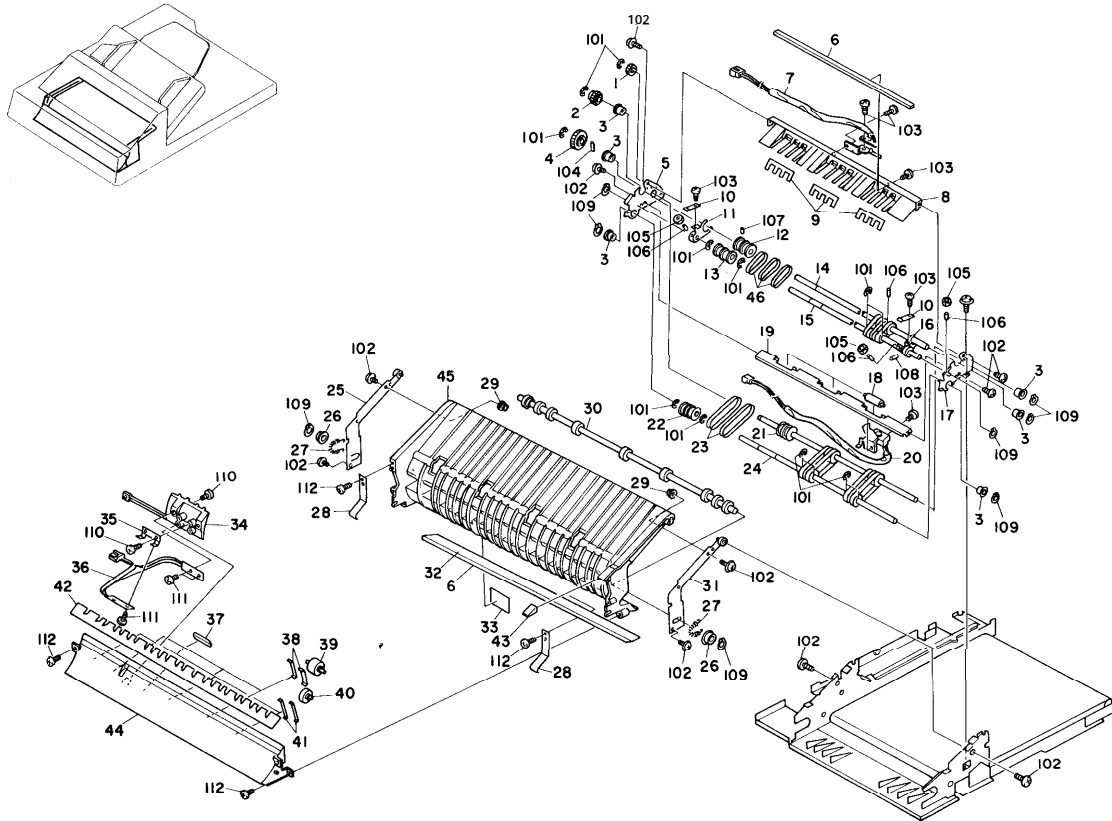


5. RDH V

March 31, '88

Index No.	Part No.	Description	Q'ty Per Assembly
1	VFG1 3758	Transport Belt Motor Ass'y	1
2	VFA3 8178	Collar	1
3	VFA3 9993	Pulse Generator	1
4	VFH7 5070	Brake	1
5	VFA3 9992	Spacer - Belt Motor	1
6	VWT2 0230	Nylon Stud	3
7	VFA3 4527	Motor Support Bracket	1
8	VFH7 7023	Photo Interrupter	1
9	VFA3 4529	Rubber Collar	3
10	VFA3 8179	Sensor Bracket	1
11	VFH7 1357	Transport Belt Motor - DC24V 10.8W	1
12	VFA3 4530	Rubber Sheet	1
13	VFF1 4834	Belt Motor Bracket	1
14	VFA3 6394	Rubber Spacer	2
15	VFS2 0153	Gear - 15T	1
16	VFS2 0152	Gear/Pulley - 66T/10T	1
17	VXF9 0104	Timing Belt - 48T	1
18	VFF1 4837	Main Drive Motor - DC24v 14.4w	1
19	VFH7 7024	Photo Interrupter	1
20	VFF1 4836	Belt Motor Bracket	1
21	VXG2 6012	Bearing	2
22	VFS2 0154	Gear/Pulley - 44T	1
23	VXF9 0105	Timing Belt	1
24	VFA3 4537	Motor Support Bracket	1
25	VFS2 0153	Gear - 15T	1
26	VFS2 0157	Gear - 40T	1
27	VFS2 0418	Coupled Gear - 15T/40T	1
28	VFS2 0156	Coupled Gear - 15T/40T	1
29	VFF1 4840	Feed-in Motor Bracket	1
30	VFH7 1304	Feed-in Motor - DC24V 9.9W	1
31	VFS2 0153	Gear - 15T	1
32	VX62 6856	Harness Clamp	1

Index No.	Part No.	Description	Q'ty Per Assembly
101	0554 0050E	Allen Screw - M4x5	
102	0960 4006W	Philips Flange Screw - M4x6	
103	0960 3008W	Philips Flange Screw - M3x8	
104	0700 0060E	Flat Washer - M6	
105	0720 0050E	Retaining Ring - M5	
106	0960 3005W	Philips Flange Screw - M3x5	



6. RDH VI

March 31, '88

Index No.	Part No.	Description	Q'ty Per Assembly
1	VFS2 0159	Gear - 20T	1
2	VFS2 0160	Gear - 24T	1
3	VXG9 0094	Ball Bearing	6
4	VFS2 0158	Gear - 36T	1
5	VFF1 4841	Rear Side Plate - Feed Unit	1
6	VFA3 4726	Support Stay	1
7	VFE6 0043	Upper Original Sensor	1
8	VFE6 0041	Separation Guide Plate	1
9	VFA4 2401	Separation Guide	3
10	VFA3 6388	Leaf Spring	2
11	VFF1 5602	Rear Support Plate	1
12	VFA3 4593	Separation Belt Drive Pulley	3
13	VFA3 4591	Separation Belt Idle Pulley	3
14	VFE6 0047	Separation Drive Shaft	1
15	VFE6 0045	Separation Idle Shaft	1
16	VFF1 5603	Front Support Plate	1
17	VFA3 4588	Front Side Plate	1
18	VFA3 4595	Tightener Pulley	3
19	VFE6 0042	Tightener Pulley Stay	1
20	VFE6 0044	Lower Original Sensor	1
21	VFE6 0048	Feed Belt Drive Roller	1
22	VFA3 4594	Feed Belt Idle Pulley	3
23	VFA3 4599	Feed Belt	6
24	VFE6 0046	Feed Idle Shaft	1
25	VFF1 6098	Rear Support Plate - Feed-out	1
26	VFS1 1377	Bushing	2
27	VFS2 2086	Tension Spring	2
28	VFA3 4619	Leaf Spring	2
29	VXA9 0306	Nut	4
30	VFE6 0053	Drive Roller	1
31	VFF1 6099	Front Support Plate - Feed-out	1
32	VFA3 4617	Mylar - 32x2.5	1
33	VFA3 9973	Shielding Mylar	1
34	VFA3 4611	Sensor Cover	1
35	VFA3 4615	Sensor Cover Bracket	1

Index No.	Part No.	Description	Q'ty Per Assembly
36	VFG1 3787	Feed-out Sensor	1
37	VFA3 8257	Mylar - 3x1mm	1
38	VFA3 9353	Large Leaf Spring - Pressure Roller	6
39	VFA3 4614	Large Pressure Roller	3
40	VFA3 9352	Small Pressure Roller	3
41	VFA3 4621	Small Leaf Spring - Pressure Roller	6
42	VFA3 4609	Inverter Guide Mylar	1
43	VFE6 0058	Tab	1
44	VFE6 0052	Inverter Guide	1
45	VFA4 2403	Feed-out Guide	1
46	VFA3 4598	Separation Belt	9
47	VFE6 0043		
101	0720 0060E	Retaining Ring - M6	
102	0960 3006W	Phillips Flange Screw - M3x6	
103	0353 0060W	Phillips Pan Head Bind Screw - M3x6	
104	0632 0140G	Parallel Pin	
105	0710 0040W	Hexagon Nut - M4	
106	0554 0100E	Allen Screw - M4x10	
107	0554 0050E	Allen Screw - M4x5	
108	0554 0040E	Allen Screw - M4x4	
109	0727 0080E	Retaining Ring - M8	
110	0413 0062W	Tapping Screw - M3x6	
111	0313 0050W	Phillips Pan Head Screw - M3x5	
112	0960 3005W	Phillips Flange Screw - M3x5	

CAPACITOR

SYMBOL NO.	NDEX NO.	SYMBOL NO.	I NDEX NO.	SYMBOL NO.	NDEX NO.	SYMBOL NO.	NDEX NO.
C01	101	C13	105	C23	107	C33	102
C02	102	C14	105	C24	107	C34	102
C03	103	C15	105	C25	107	C35	102
C04	102	C16	102	C26	107	C37	102
C07	104	C17	102	C27	107	C38	102
C08	104	C18	102	C28	107	C39	102
C09	102	C19	106	C29	102	C41	110
C10	102	C20	102	C30	102	C42	109
C11	102	C21	107	C31	108	C43	108
C12	106	C22	107	C32	109	C44	108

CIRCUIT BREAKER

SYMBOL NO.	INDEX NO.
CB01	111

DIODE

SYMBOL NO.	NDEX NO.	SYMBOL NO.	INDEX NO.
002	112	012	115
003	112	013	115
004	112	014	116
005	112	015	116
006	112	016	116
007	113	017	116
008	113	018	116
009	113	019	116
010	113	020	116
011	114	021	116

CONNECTOR

SYMBOL NO.	INDEX NO.	SYMBOL NO.	NDEX NO.
022	116	J01	117
		J03	118
		J04	119
		J05	120
		J06	121
		J07	122
		J08	123
		J09	124
		J10	120
		J11	125

IC & TRANSISTOR

SYMBOL NO.	NDEX NO.	SYMBOL NO.	I NDEX NO.	SYMBOL NO.	I NDEX NO.	SYMBOL NO.	INDEX NO.
J12	126	LED01	133	Q01	134	915	142
J13	127	LED02	133	Q02	135	Q16	142
J14	123	LED03	133	Q03	136	Q17	142
J15	127			Q04	137	Q18	142
J16	128			Q05	138	Q19	143
J17	129			Q06	139	Q20	143
J18	130			Q07	140	Q21	143
J19	131			Q08	141	Q22	143
J20	131			Q13	142	Q23	144
J21	132			Q14	142	Q24	144

RESISTOR

SYMBOL NO.	NDEX NO.	SYMBOL NO.	INDEX NO.	SYMBOL NO.	INDEX NO.	SYMBOL NO.	INDEX NO.
Q35	146	Q45	146	R04	147	R18	154
Q36	146	Q46	146	R06	148	R19	149
Q37	146			R07	149	R20	155
Q38	146			R10	150	R21	156
Q39	146			R11	150	R22	157
Q40	187			R13	147	R23	158
Q41	146			R14	151	R24	159
Q42	146			R15	152	R25	160
Q43	146			R16	153	R26	156
Q44	146			R17	151	V.27	156

P SWITC

SYMBOL NO.	NDEX NO.	SYMBOL NO.	I NDEX NO.	SYMBOL NO.	INDEX NO.
R28	161	R38	168	R50	150
R29	162	R40	169	R51	168
R30	163	R41	170	R52	189
R31	164	R42	171	R53	160
R32	165	R43	150	R54	160
R33	166	R44	172	R55	160
R34	167	R45	173		
R35	167	R47	168		
R36	188	R48	150		
R37	188	R49	168		

VARIABLE RESISTOR RESONATOR

SYMBOL NO.	INDEX NO.	SYMBOL NO.	INDEX NO.
SW01	175	VR01	177
SW02	176	VR02	177
		VR04	178
		VR05	178
		VR06	178
		VR07	178
		VR08	179
		VR09	178

ZENER DIODE

SYMBOL NO.	INDEX NO.	SYMBOL NO.	INDEX NO.
X01	180	Z001	181
		Z002	181
		Z003	182
		Z004	182
		Z005	182
		Z006	182
		Z007	183
		Z008	183
		Z009	183
		Z010	183

WIRE MATE & PIN

SYMBOL NO.	INDEX NO.	SYMBOL NO.	INDEX NO.
CP03	184	CP08	184
CP04	184	CP10	185
CP05	184		
CP06	184		
CP07	184		

COIL

SYMBOL NO.	INDEX NO.	SYMBOL NO.	INDEX NO.
L01	186	L02	186
L02	186	L03	186
L03	186		

7. RDH MAIN BOARD

March 31, '88

Index No.	Part No.	Description	Q'ty Per Assembly
*	VEM6 0014	RDH Main Board	1
101	1604 1355	Capacitor - 220 μ F 10V	
102	1606 0875	Capacitor - 1000PF 50V	
103	A938 9501	Capacitor - 220 μ F 35V	
104	VVCI 1346	Capacitor - 0.047 μ F 50V	
105	1606 0807	Capacitor - 0.1 μ F 50V	
106	1604 1362	Capacitor - 4.7 μ F 25V	
107	A938 9502	Capacitor - 1000PF 50V	
108	A938 9503	Capacitor - 220PF 50V	
109	1606 0522	Capacitor - 33PF 50V	
110	1605 0303	Capacitor - 1.5 μ F 50V	
111	1107 0515	Circuit Bracket - 3.15A	
112	1402 0547	Diode - SS5566B	
113	1402 0110	Diode - V06C	
114	1402 0167	Diode - U05C	
115	VWA1 0628	Schottky Diode 1SS106	
116	1401 0795	Diode - 1S2076A	
117	VFK6 2502	Connector - 4P	
118	1100 1094	Connector - 9P	
119	1103 0605	Connector - 5P	
120	VWS3 0581	Connector - 2P	
121	1102 1657	Connector - 2P	
122	1102 0958	Connector - 2P	
123	VWS3 0580	Connector - 2P	
124	1103 1493	Connector - 2P	
125	VWS3 0420	Connector - 3P	
126	1100 1092	EI Connector - 4P	
127	VWS3 0582	Connector - 2P	

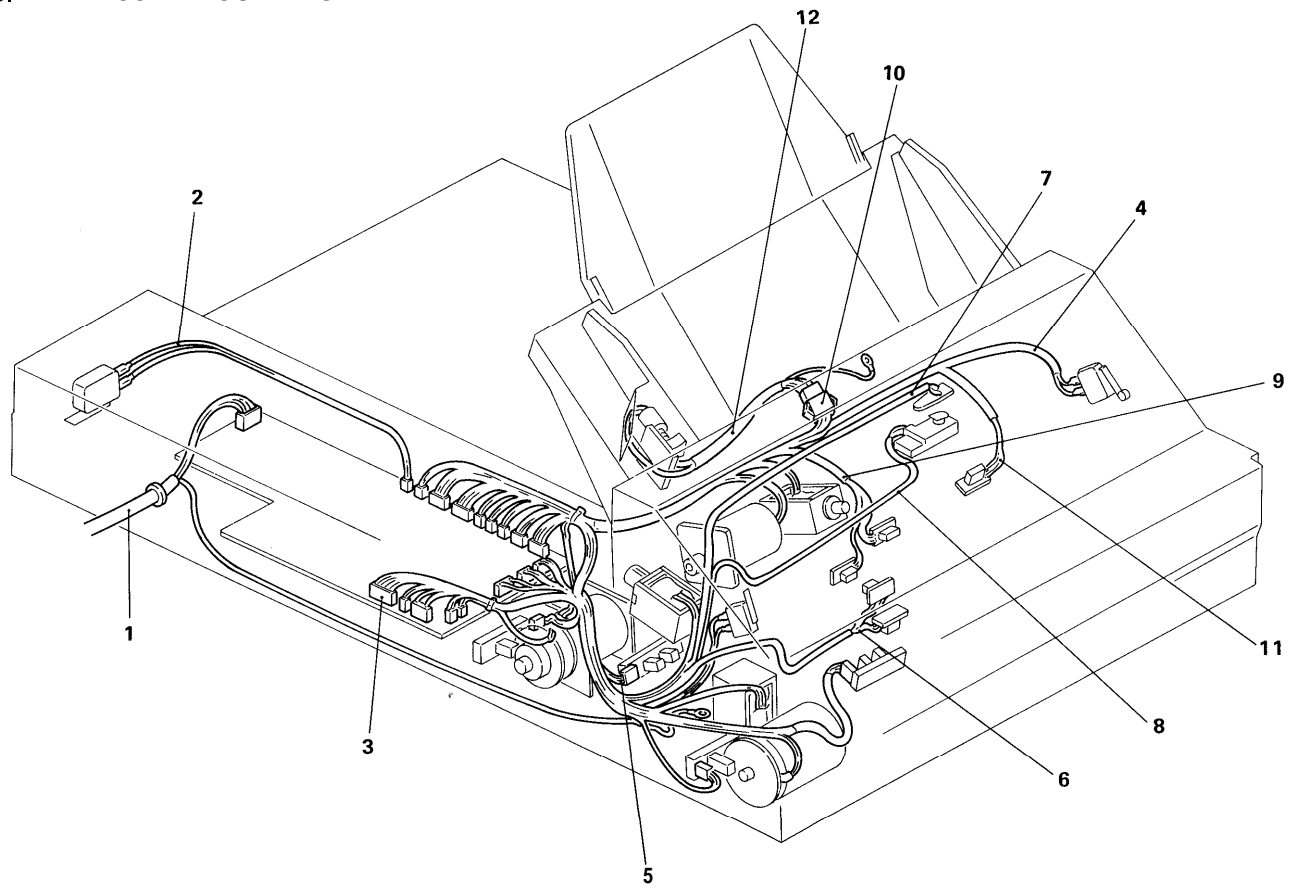
Index No.	Part No.	Description	Q'ty Per Assembly
128	1103 0786	Connector - 6P	
129	1100 1093	Connector - 6P	
130	1103 0814	Connector - 4P	
131	VWS3 1055	Connector - 2P	
132	VWS3 0584	Connector - 3P	
133	VWG1 0238	LED - GL-3PR9	
134	1407 2510	IC - UPD78C10G	
135	5353 5132	IC - HN4827128G	
136	1407 1026	IC - 74LS373	
137	1408 0329	IC - MPC358C	
138	1408 0408	IC - PST518A	
139	VWA3 0158	IC - 74LS38	
140	1407 1023	IC - 74LS14	
141	1407 1309	IC - 74LS04	
142	1401 0246	Transistor - 2SB727	
143	VWA2 0222	Transistor - 2SD768	
144	1400 0098	Transistor - 2SA950Y	
145	VWA2 0354	Transistor - 2SB795	
146	VWA2 0569	Transistor - UN4211	
147	A937 9516	Resistor - 3.3K Ω 1/4W	
148	A938 9504	Resistor - 4.7K Ω 1/4W	
149	A936 9505	Resistor - 100 Ω 1/4W	
150	A937 9514	Resistor - 4.7K Ω 1/4W	
151	A938 9505	Resistor - 910 Ω 1W	
152	A938 9506	Resistor - 150 Ω 1/4W	
153	A937 9515	Resistor - 560 Ω 1/4W	
154	1600 1238	Resistor - 220 Ω 3W	
155	A938 9507	Resistor Array - 220 Ω 1/8W	
156	A938 9508	Resistor Array - 330 Ω 1/4W	
157	A938 9509	Resistor Array - 22 Ω 1/4W	
158	A938 9510	Resistor Array - 3.3K Ω 1/8W	
159	A938 9511	Resistor Array - 100 Ω 1/4W	
160	A938 9512	Resistor - 2200 Ω 1/2W	
161	A938 9513	Resistor Array - 3.3K Ω 1/8W	
162	A938 9514	Resistor Array - 470 Ω 1/4W	

Index No.	Part No.	Description	Q'ty Per Assembly
163	VVR9 0978	Resistor Array - 10K Ω /8W	
164	A938 9515	Resistor Array - 3.3K Ω /4W	
165	A938 9516	Resistor Array - 100 Ω /8W	
166	VVR9 0968	Resistor Array - 5.6K Ω /4W	
167	A937 9508	Resistor Array - 10K Ω /8W	
168	A937 9527	Resistor - 10K Ω /4W	
169	A938 9517	Resistor - 1.5K Ω /4W	
170	A936 9502	Resistor - 22K Ω /4W	
171	A936 9504	Resistor - 33K Ω /4W	
172	A938 9518	Resistor - 1M Ω /4W	
173	A938 9519	Resistor - 82 Ω /2W	
174	A937 9507	Resistor Array - 4.7K Ω /8W	
175	1204 1574	DIP switch	
176	VWC80104	Push Switch	
177	A938 9520	Variable Resistor	
178	A938 9521	Variable Resistor	
179	A938 9522	Variable Resistor	
180	1503 0070	Ceramic Oscillator - 10MHz	
181	VX65 5361	Zenner Diode - HZ7	
182	1402 0481	Zenner Diode - HZ18-2	
183	VWA1 0206	Zenner Diode - hz 1C-1	
184	1103 1103	Wire Mate - HBRBBS-1J	
185	VWT1 0122	Check Pin	
186	1607 0001	Coil - SN-8S-500	
187	VWA2 0548	Transistor - UN4111	
188	A938 9524	Resistor Array - 10K Ω /8W	
189	A938 9525	Resistor Array - 4.7K Ω /8W	

Index No.	Part No.	Description	Q'ty Per Assembly

8. HARNESS LAYOUT FRONT VIEW

March 31, '88

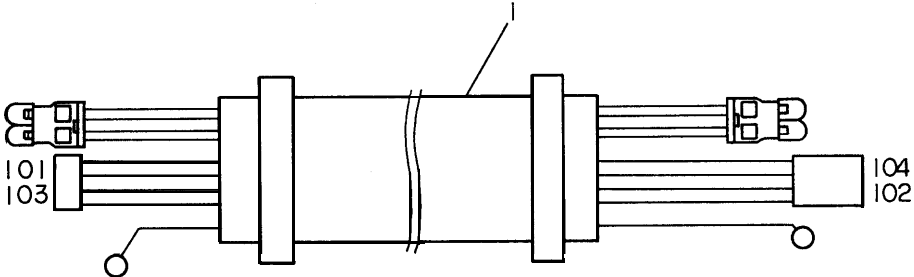


8. HARNESS LAYOUT FRONT VIEW

March 31, '88

Index No.	Part No.	Description	Q'ty Per Assembly
1	VFM6 0020	Interface Harness	1
2	VFG1 3785	Lift SW Harness	1
3	VFG1 3782	Pulse Generator Harness	1
4	VFG1 4666	Top Cover Safety SW Harness	1
5	VFG1 3780	Pick-up Roller Harness	1
6	VFM6 0016	Feed-in Sensor Harness	1
7	VFM6 0017	Upper Original Sensor Harness	1
8	VFM6 0018	Lower Original Sensor Harness	1
9	VFG1 3778	Resistration Sensor Ass'y	1
10	VFM6 0019	Relay Harness	1
11	VFG1 5503	Feed-in Sensor Ass'y	1
12	VFM6 0012	Recycle Sensor Harness	1

Index No.	Part No.	Description	Q'ty Per Assembly

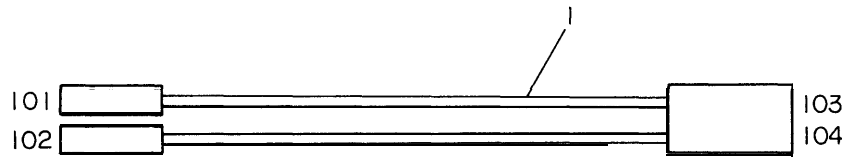


9. INTERFACE HARNESS

March 31, '88

Index No.	Part No.	Description	Qty Per Assembly
1	VFM6 0020	Interface Harness	1

Index No.	Part No.	Description	Qty Per Assembly
101	1100 1247	Terminal	
102	VWS4 0217	Terminal	
103	1102 1887	Connector - 4P	
103	VWS3 0993	Connector - 4P	

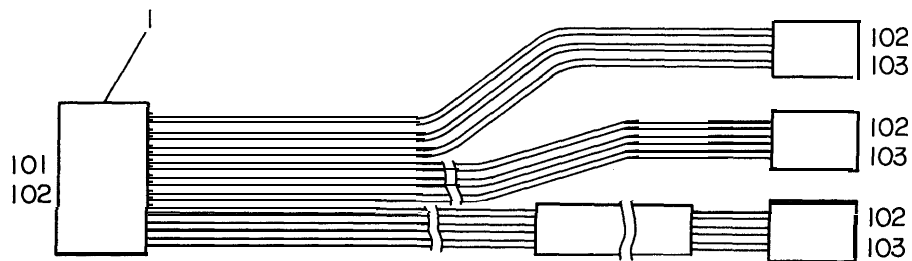


10. LIFT SWITCH HARNESS

March 31, '88

Index No.	Part No.	Description	Qty Per Assembly
1	VFG1 3785	Lift Switch Harness	1

Index No.	Part No.	Description	Qty Per Assembly
101	11000290	Fastening Receptacle	
102	1102 0796	Connecting Sleeve 3.0mm - 220V	
103	1100 1247	Terminal	
104	A938 9523	Receptacle Housing - 2P	

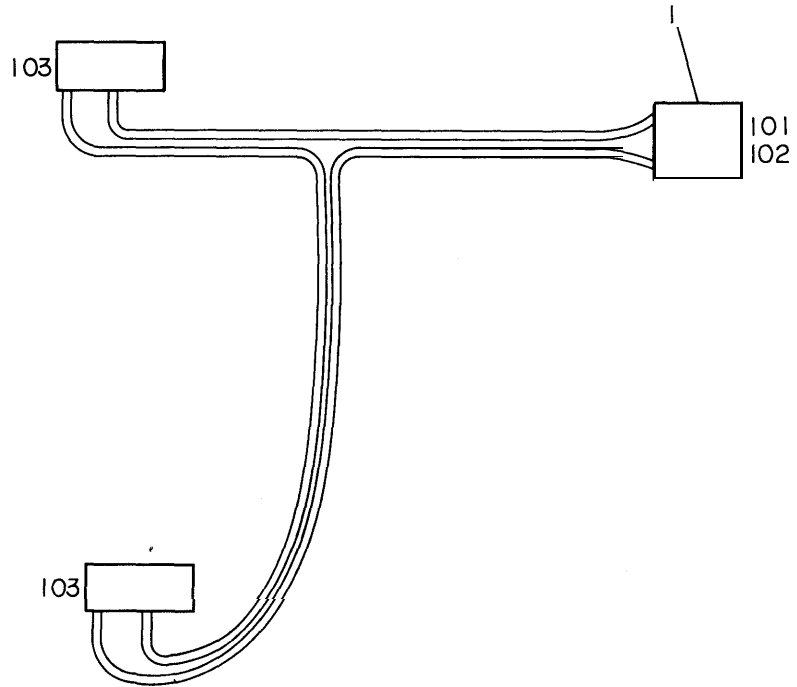


11. PULSE GENERATOR HARNESS

March 31, '88

Index No.	Part No.	Description	Q'ty Per Assembly
1	VFG1 3782	Pulse Generator Harness	1

Index No.	Part No.	Description	Q'ty Per Assembly
101	1102 1091	Connector - 6P	
102	1100 1259	Socket - Mate-N-Lock	
103	1102 1089	Connector - 3P	

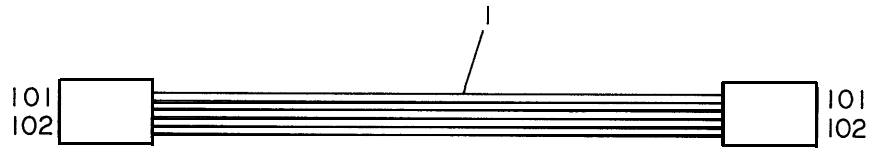


12. TOP COVER SAFETY SWITCH HARNESS

March 31, '88

Index No.	Part No.	Description	Q'ty Per Assembly
1	VFG1 4666	Top Cover Safety SW. Harness	1

Index No.	Part No.	Description	Q'ty Per Assembly
101	1100 1247	Terminal	
102	A936 9510	Receptacle Housing - 2P	
103	1204 1103	Sub Miniture SW. - SS-5GL2	

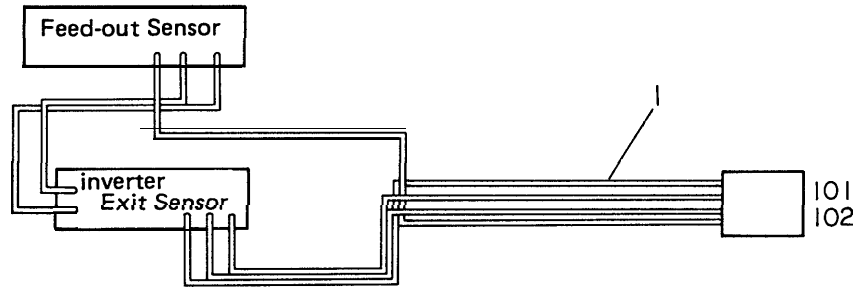


13. PICK-UP ROLLER HARNESS

March 31, '88

Index No.	Part No.	Description	Qty Per Assembly
1	VFG1 3780	Pick-up Roller Harness	1

Index No.	Part No.	Description	Qty Per Assembly
101	1102 1089	Connector - 3P	
102	1100 1259	Socket - Mate-N-Lock	

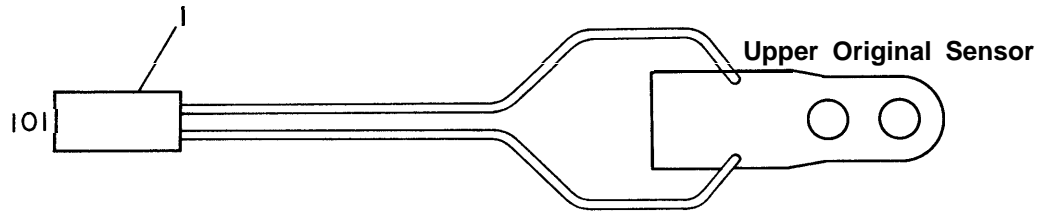


14. FEED-OUT SENSOR HARNESS

March 31, '88

Index No.	Part No.	Description	Q'ty Per Assembly
1	VFM6 0016	Feed-out Sensor Harness	1

Index No.	Part No.	Description	Q'ty Per Assembly
101	1102 1090	Connector - 4P	
102	1100 1259	Socket - Mate-N-Lock	

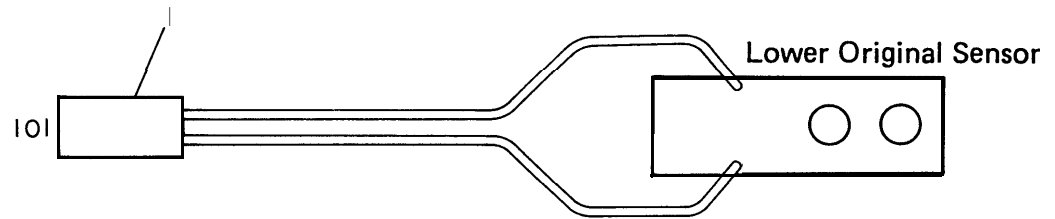


15. UPPER ORIGINAL SENSOR HARNESS

March 31, '88

Index No.	Part No.	Description	Q'ty Per Assembly
1	VFM6 0017	Upper Original Sensor Harness	1

Index No.	Part No.	Description	Q'ty Per Assembly
101	1102 1665	Receptacle Housing - 3P	

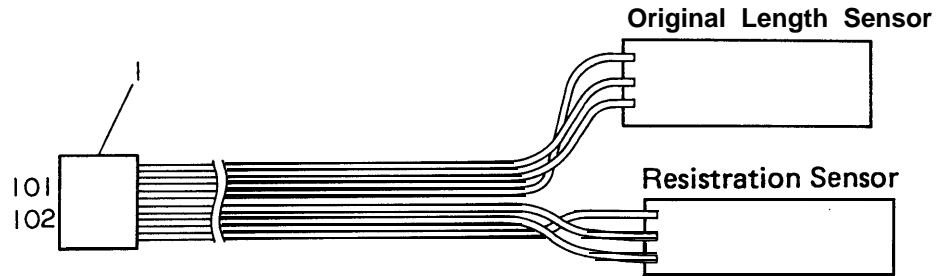


16. LOWER ORIGINAL SENSOR HARNESS

March 31, '88

Index No.	Part No.	Description	Q'ty Per Assembly
1	VFM6 0018	Lower Original Sensor Harness	1

Index No.	Part No.	Description	Q'ty Per Assembly
101	VWS3 1055	Connector - 2P	

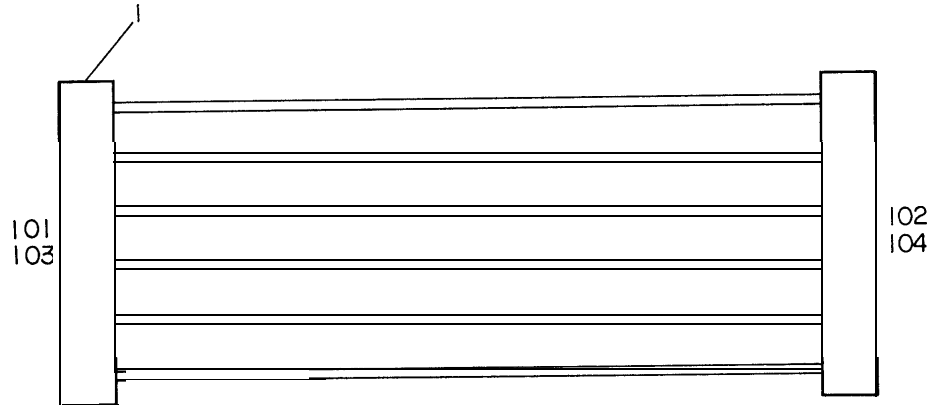


17. REGISTRATION SENSOR HARNESS

March 31, '88

Index No.	Part No.	Description	Q'ty Per Assembly
1	VFG1 3778	Registration Sensor Ass'y	1

Index No.	Part No.	Description	Q'ty Per Assembly
101	1102 1091	Connector - 6P	
102	1100 1259	Socket - Mate-N-Lock	

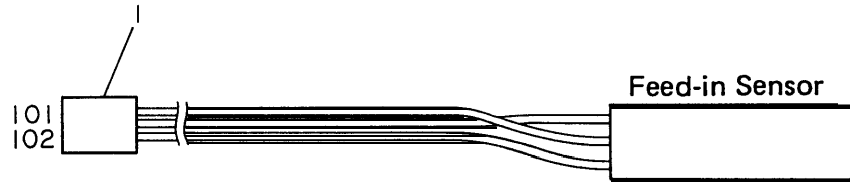


18. RELAY HARNESS

March 31, '88

Index No.	Part No.	Description	Q'ty Per Assembly
1	VFM6 0019	Relay Harness	1

Index No.	Part No.	Description	Q'ty Per Assembly
101	1102 109 I	Connector - 6P	1
102	VWS3 0885	Pin - Mate-N-Lock	
103	1100 1089	Socket - Mate-N-Lock	
104	VWS3 0108	Connector - 6P	

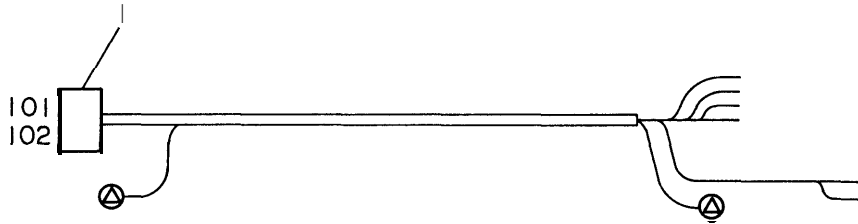


19. FEED-IN SENSOR HARNESS

March 31, '88

Index No.	Part No.	Description	Qty Per Assembly
1	VFG1 5503	Feed-in Sensor Ass'y	1

Index No.	Part No.	Description	Qty Per Assembly
101	VWS3 0592	Receptacle Housing	
102	1100 1259	Socket - Mate-N-Lock	

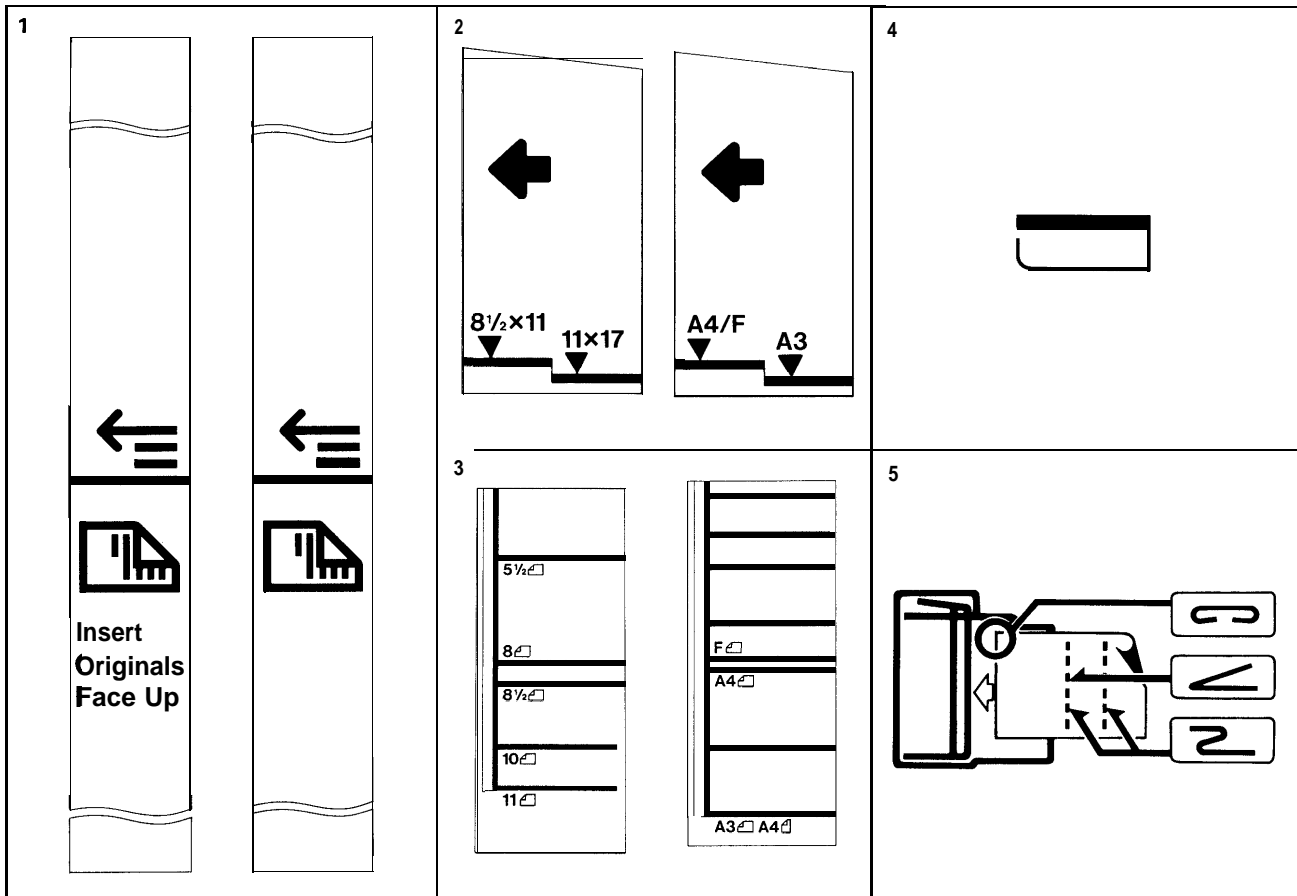


20. RECYCLE SENSOR HARNESS

March 31, '88

Index No.	Part No.	Description	Q'ty Per Assembly
1	VFM6 0012	Recycle Sensor Harness	1

Index No.	Part No.	Description	Q'ty Per Assembly
101	1102 1091	Connector - 6P	
102	1100 1259	Socket - Mate-N-Lock	



21. DECAL**March 31, '88**

Index No.	Part No.	Description	Q'ty Per Assembly
*	VFS0 8032	Instruction Card - English - LT/LDG	1
*	VFS0 8038	Instruction Card - English - A3/A4	1
*	VFS0 8033	Instruction Card - French - LT/LDG	1
*	VFS0 8034	Instruct Ion Card - French - A3/A4	1
*	VFS0 8035	Instruction Card - German	1
*	VFS0 8036	Instruct Ion Card - Spanish	1
*	VFS0 8037	Instruction Card - Italian	1
1	VFS0 8021	Decal - Feed-in - LT/LDG	1
1	VFS0 8022	Decal - Feed in - A3/A4	1
2	VFE6 0301	Small Original Size Decal - LT/LDG	1
2	VFE6 0302	Small Original Size Decal - A3/A4	1
3	VFS0 8005	Large Original Size Decal - LT/LDG	1
3	VFS0 8006	Large Original Size Decal - A3/A4	1
4	VFS0 8041	Decal - Front Original Guide	1
5	VFS0 8057	Decal - Instruction	1

Index No.	Part No.	Description	Q'ty Per Assembly